

audison



Prima

PRODUCT INFORMATION

Elettromedia 2019



he·li
High Efficiency -
Low Impedance

ssp
Sub Smart Plug

es₂
e·side e·sound

dbt
Dynamic Bass
Tracking



ideato,
progettato,
ingegnerizzato
in Italia

audison.com

Prima



Prima

PRODUCT INFORMATION

Elettromedia 2019

Audison Prima Subwoofers	3
Active Prima Subwoofer boxes	8
Technical Sheet	10
About us	18
Press kit	19



For more information visit audison.com



Elettromedia
62018 Potenza Picena (MC) Italy
T +39 0733 870 870 - F +39 0733 870 880
elettromedia.com



Prima



AUDISON PRIMA SUBWOOFERS

PRIMA SUBWOOFER PHILOSOPHY

Prima subwoofers arose from the need to further **upgrade OEM systems** previously enhanced with Prima speakers and electronics; extending the low-frequency response, generating huge impact adding to the excitement of listening. Able to meet any requirements, the Prima subwoofers are available as a "Loaded Enclosure" or "Components", expanding the possibilities for **specialists to create their one of a kind system**.



DESIGNED FOR PRIMA AMPLIFIERS

Prima subwoofers are **designed for maximum performance when used with AP amplifiers**. They work in perfect synergy with their native electronics, taking advantage of their on-board DSP to blend the subwoofers low frequency extension with the rest of the system. The **Audison R&D** staff focused much of their energy on simulation and the measurement of low-frequency acoustic response in different cabins. Measurement analyses combined

with acoustic simulations and listening tests ensured the definition of the best characteristics for both enclosures and components with one target in mind: **to maximize performance using all the available power while maintaining a compact enclosure**. The Prima loaded enclosure design came from an essential concept: **adaptability to all installation needs**. Every detail was designed to facilitate the integration of the enclosure in the car, with Hi-Tech features and cosmetic finishes.



APBX 8 DS

All specifications subject to change without notice_19.C

Prima



PRIMA LOADED ENCLOSURES

The R&D staff have **carefully summarized test results**, creating three models designed to make the most of configurations made possible with the **Audison Prima amplifiers range, taking advantage of the BASS BOOST feature and integrated parametric equalizer of the DSP**. To **maximize performance according to available power**, the following were defined for each model: type of enclosure (reflex/sealed), minimum impedance (load) and the subwoofers electroacoustic parameters.

The **APBX 8 R** loaded enclosure was developed with **reflex loading, with tuning designed to concentrate SPL in the lowest frequency range**. The aim was to exploit the natural boost in output found in most cars below 60 Hz known as **"cabin gain"**.

The 8-inch single 4 Ω voice-coil subwoofer has a powerful motor that maximizes efficiency in combination with the AP8.9 bit amplifier. The **low-resonant frequency of the subwoofer, matched to the reflex enclosure** keeps excursion low within the entire audio spectrum, allowing also the use with a pair of AP4.9 bit / AP4 D bridged channels, capable of delivering 260 W rms.

The **APBX 8 DS** loaded enclosure provides the highest performance/size ratio. For this purpose an 8.5 lt. sealed enclosure with a 4+4 Ω dual voice-coil configuration was adopted to exploit the full power of an AP5.9 bit (paralleling voice coils for a 2-ohm load) or with two pairs of AP8.9 bit bridged channels (one bridged pair of channels to each voice coil). The speaker's high excursion capability allows the use of the proprietary BASS BOOST of AP bit amplifiers to make use of all the available power for rich and dynamic bass.

*See Audison Prima Subwoofer application table.

The APBX 10 DS, a 10" subwoofer loaded in a 12-litres sealed enclosure, is the line's "flagship". It is dedicated to the highest performing Prima systems, using the **AP1 D** amplifier for the sub section. The speaker's mechanical excursion of more than **18 mm** provides for incredible authority, while the refined Thiele&Small parameters set-up provides the ideal balance for all music genres.

The new sealed enclosure APBX 10 S4S, designed to house the new APS 10 S4S subwoofer with a single 4 Ω voice coil, is the ideal choice to be driven by the new AP F8.9 bit using two channels bridged.

APBX 8 R



Rounded corners allow easy positioning in the trunk and act as reinforcement to reduce enclosure resonance.



APBX 8 DS



The sturdy metal grille ensures total protection of the subwoofer.

All specifications subject to change without notice_19.C

Prima

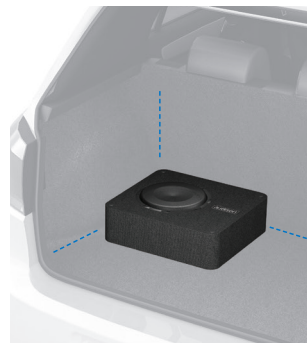


2S²-2 SIDES/2 SOUNDS

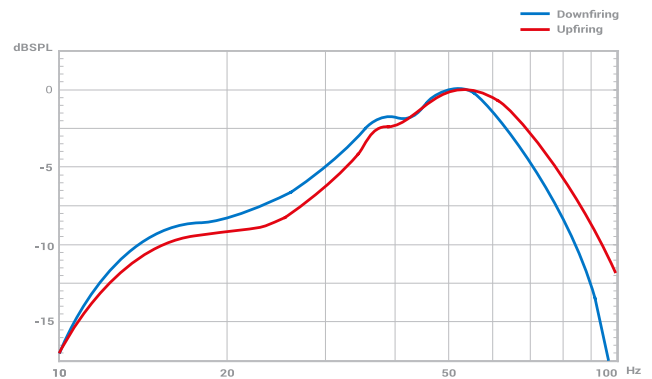
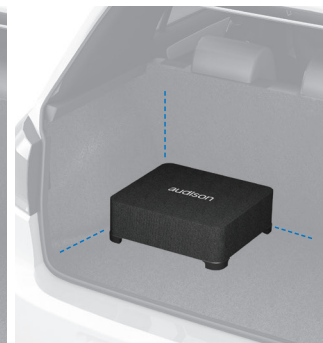
2S²-2 Sides/2 Sounds provides the ability to choose between two physical mounting methods creating two distinct aesthetics and sound results for the Audison Prima loaded enclosures. **2 Sounds** is so named thanks to the choice of **Up-Firing** and **Down-Firing** mounting options. **2 Sides** satisfies the cosmetic taste of every enthusiast. The Audison R&D staff tailored performance for both operating modes, leaving the choice of the sound to the preference of the listener who can maximize performance with the Audison AP bit amplifiers' powerful integrated DSP:

- **Down-Firing:** increases the low-frequency extension for a richer sound.
- **Up-Firing:** more punch and definition for a highly dynamic experience.

upfiring



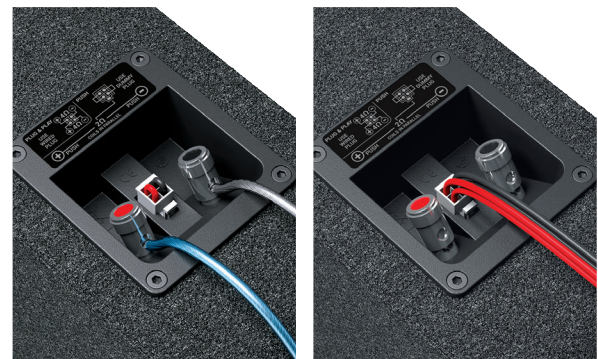
downfiring



"SUB SMART PLUG" - SSP

The enclosures SSP terminal block features both traditional **push contacts** and a **Plug & Play connector**. When using the push contacts, impedance is set to the lowest value by using the supplied bridge connector inserted into the Plug & Play terminal block (APBX 10 DS/8DS = 2 Ω, APBX 8 R=4 Ω). The "Plug & Play" connector configures the impedance as required and provides a quick release if the enclosure needs to be removed and protects against short-circuits.

A series of dedicated Plug & Play harnesses are provided to easily combine APBX enclosures with the AP amplifiers.



With SSP Sub-Smart Plug subwoofer installation is a breeze.

Prima



PRIMA SUBWOOFER COMPONENTS

With the same philosophy as the loaded enclosures, the R&D staff condensed all the possible combinations within the AP* amplifiers in three component subwoofer models, removing all barriers to **creativity with custom installations**.

Prima subwoofer components have been developed with a primary goal: **to deliver high output in tight spaces**.

Output is a matter of excursion; the more air the cone moves, the more output. However reduced mounting depth traditionally has meant low excursion. Prima subwoofers employ a **special conedustcap-basket geometry** which guarantees **large excursion of the mobile group**, while **keeping the mounting depth to a minimum**. The surround and spider have been carefully designed to prevent the "rocking-mode" phenomenon.

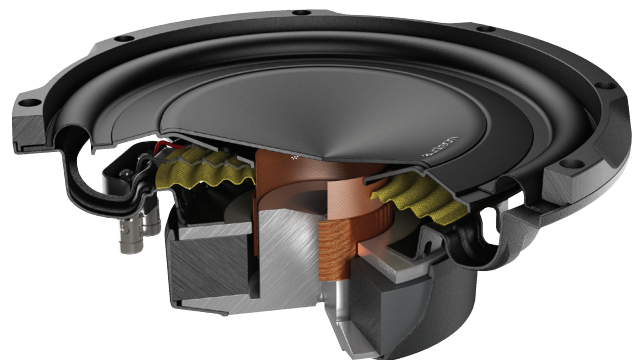
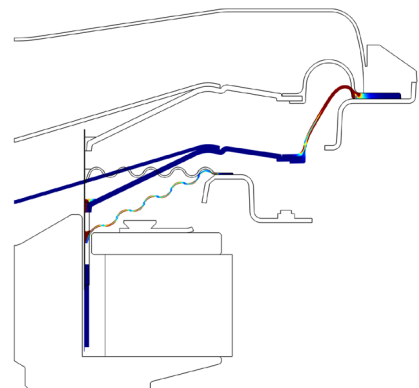
The cooling circuit has been designed with **air vents on the basket underneath the spider**, eliminating the need for vents on the bottom-plate. This allows the subwoofer to be **mounted close to the back wall of the enclosure**, making the most of the reduced mounting depth.

*See Audison Prima Subwoofer application table.

The APS 10 D and APS 8D models are designed to deliver maximum performance in a sealed enclosure with **ultra-compact volumes**; from as small as 10 and 7.5 lt., with optimal values of 12 and 8.5 lt. respectively. Both dual voice coil and single voice coil versions feature push connectors for ease of wiring and configurations. With the aim of providing high acoustical output even when used with lower power, the APS 8 R was designed for use in an 8.5-litres reflex enclosure, with tuning between 30 and 40Hz.

The APS 8 R has been specifically developed to be combined with either the AP8.9 bit or AP4.9 bit / AP4 D.

The new 25 cm (10 in.) APS 10 S4S features a single 4Ω voice coil that makes it ideal to be driven by the new AP F8.9 bit amplifier with built-in DSP that delivers an outstanding 260 W RMS with two channels bridged. Also interesting is the possibility to create custom enclosures with two APS 10 S4S driven by the AP 1D amplifier using the 540 W RMS delivered on the 2Ω load resulting from the drivers connection in parallel.



All specifications subject to change without notice_19.C

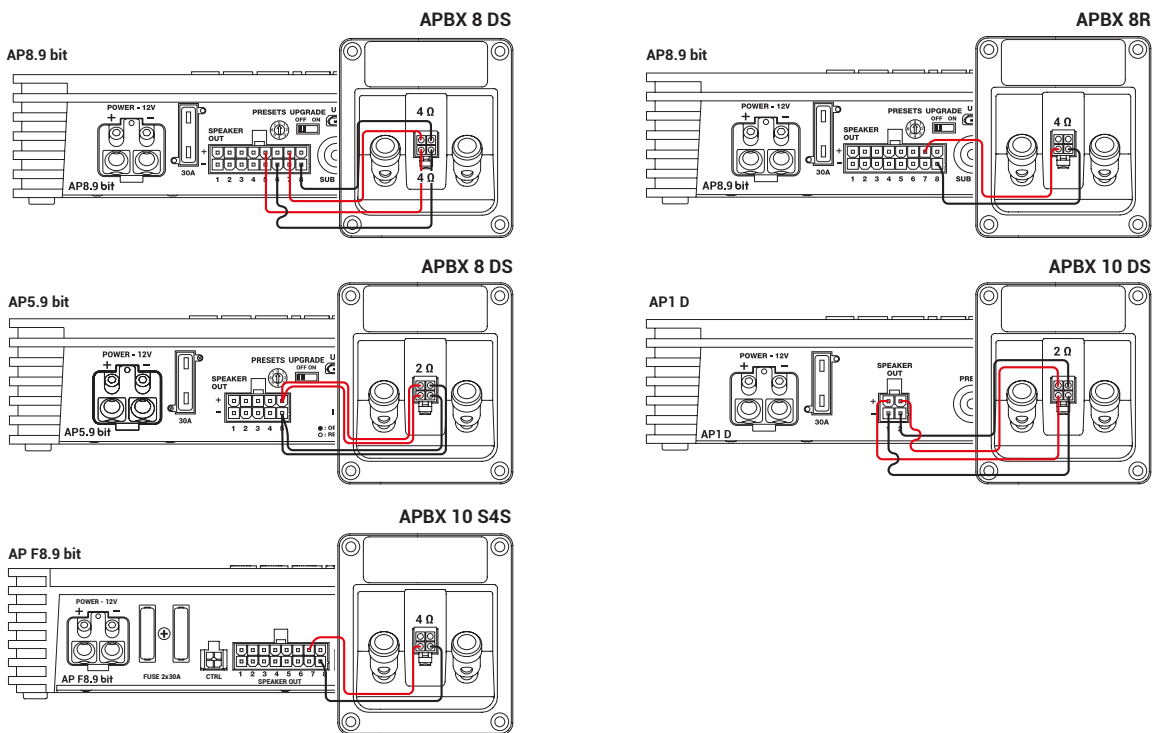
Prima

AUDISON PRIMA SUBWOOFERS APPLICATIONS TABLE.

LOADED ENCLOSURE SPECIFICATIONS	Speaker Size mm (in.)	Power Handling W		Imp. Ω	Specific application:	Sub comp.*
APBX 8 R	200 (8)	500	250	4 Ω	AP8.9 bit - 2 CH bridged AP4.9 bit/ AP4 D - 2 CH bridged	APS 8 R
APBX 8 DS	200 (8)	500	250	4 Ω + 4 Ω	AP8.9 bit - 2 CH + 2 CH bridged AP5.9 bit - Sub CH AP4.9 bit/ AP4 D - 2 CH bridged	APS 8 D
APBX 10 DS	250 (10)	800	400	4 Ω + 4 Ω	AP1 D - Sub CH AP4.9 bit/ AP4 D - 2 CH + 2 CH bridged	APS 10 D
APBX 10 S4S	250 (10)	800	400	4 Ω	AP F8.9 bit 2 CH bridged - AP4.9 bit/ AP4 D - 2 CH bridged	APS 10 S4S

*Audison Prima subwoofers are also available as "Components" to be integrated by car audio specialists in OEM integration projects.

JUST A FEW COMBINATIONS OF AUDISON PRIMA SUBWOOFERS WITH AUDISON AP AMPLIFIERS.



All specifications subject to change without notice_19.C

Prima

ACTIVE PRIMA SUBWOOFER BOXES

The **Prima APBX 8 AS2** and **APBX 10 AS2** active subwoofers, with 8 and 10-inch drivers respectively, feature a **dedicated high performance amplification module** which enhances all the passive box technologies, such as the **2S² (2 Sides / 2 Sounds)** design, the **Plug & Play terminal block** and **ultra-compact size**.



he·li

The amplification module, with **power outputs of 400W RMS (APBX 10 AS2) and 250W (APBX 8 AS2)** is developed with **he-li technology (high efficiency / low impedance)**, which thanks to the absence of the DC-DC voltage booster reaches the impressive 90% efficiency level, very close to the theoretical limit of the D-Class.

Eliminating the voltage booster was made possible thanks to the development of the **new dual coil drivers**, which inherit all the technological background of the Prima subwoofers, but differ for the **ultra low impedance (0.16ohms for APBX 10 AS2)**.

This feature ensures a perfect synergy with the he-li (High Efficiency Low Impedance) technology, **maximizing the combination of amplifier, speakers and sealed box**, to obtain **low, powerful and crisp frequencies**.



Prima



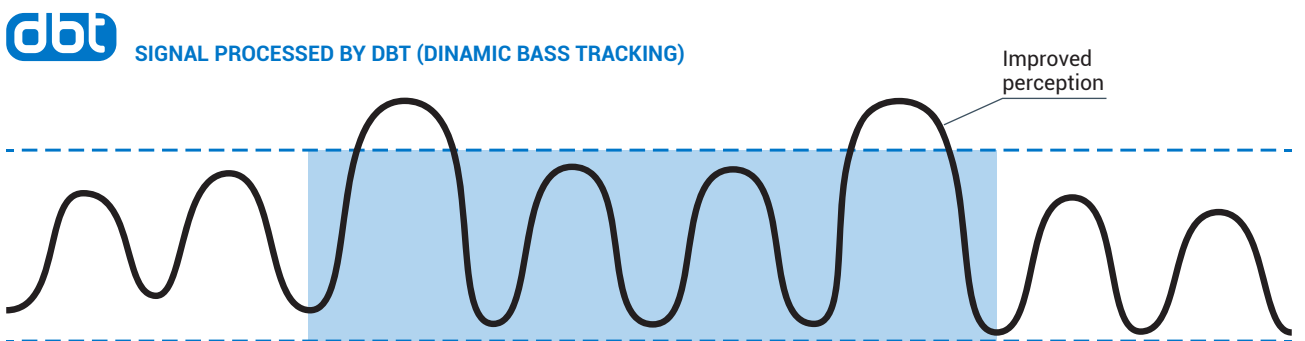
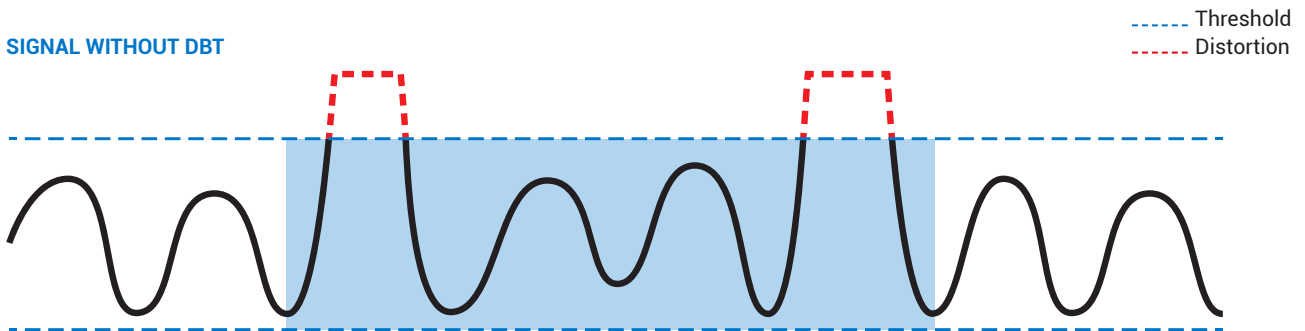
dbt

Input stage DBT (Dynamic Bass Tracking) technology allows fully use of the he-li high efficiency amplifier power of APBX 10 AS2 / APBX 8 AS2 to enjoy a tense and dynamic bass even at very high listening volumes.

DBT monitors the input signal in real time by detecting in advance the peaks which, if not processed, will bring the amplifier / subwoofer system into uncontrolled distortion, when it is pushed to maximum power.

DBT prevents this critical condition by processing the attack and release of the peak in advance according to parameters optimized based on the perception of sound by the auditory system.

The result is amazing, the perception of pressure and acoustic quality are greatly emphasized thanks to the intervention of the (DBT), which "favors" the extremely dynamic and defined reproduction of low frequencies, even at maximum power.



Prima

The controls section is complete and provides an optimal regulation of the low frequency emission in the car cabin. The Butterworth low pass filter at 12dB/Oct. with variable cut-off frequency (50-300 Hz) can be bypassed, when used with an AP bit processor with pre-out output dedicated to the sub. The adjustable bass-boost control (0 ÷ 6 dB) at 45 Hz allows the user to emphasize the response in the lower side of the spectrum.

The high-level speaker-in input on multi-pole connector eases the integration with OEM audio systems while the low-level input on RCA is dedicated to the connection with after market sources. The subwoofer automatic turn on/off function ART (Automatic Remote Turn-On) can be configured to be controlled by the source's remote signal, by the voltage variation on the high-level input or by the audio signal on both inputs. Phase control (0 - 180 °) completes the equipment.

The SSP (Sub Smart Plug) terminal block is provided with a single Plug&Play connector to be able to disconnect the box easily and safely.



APBX 8 AS

The remote control HRC AP included, provides the ability to adjust the output level directly from the driver's seat.



All specifications subject to change without notice_19.C

Prima

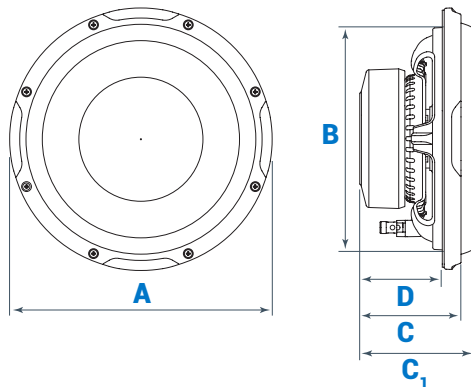
APS 8 R

Subwoofer
500 W

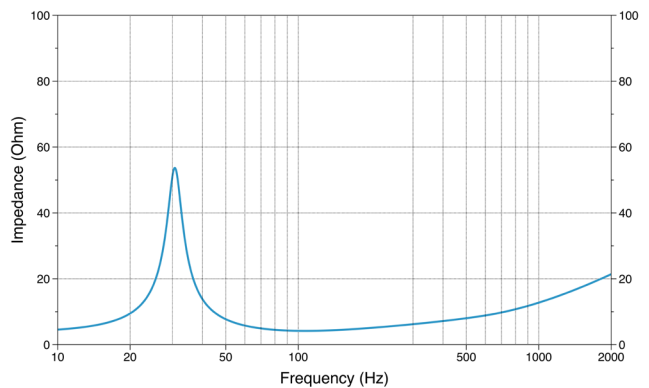


TECHNICAL SPECIFICATIONS		
Component		Subwoofer
Size	mm (in.)	200 (8)
Power Handling	W peak	500
	W continuous	250
Impedance	Ω	4
Centre to centre distance	mm (in.)	207 (8.15)
Midrange magnet size D x d x h	mm (in.)	120 (4.72) x 50 (1.97) x 28 (1.1)
Total driver displacement	l (cu.in.)	0,67 (0.01)
Hole diameter		5 (0.2)
Weight of one speaker	kg (lb.)	3,04 (6.7)
Magnet		High density flux ferrite
Cone		Water-repellent pressed paper
Subwoofer Voice Coil \varnothing	mm (in.)	40 (1.57)
*Xmech		$\pm 16,5$ (0.65)

ELECTRO-ACOUSTIC PARAMETERS		
D	mm	173
Xmax	mm	$\pm 8,8$
Re	Ω	3,7
Fs	Hz	32
Le	mH	1,45
Vas	l	26,5
Mms	g	80
Cms	mm/N	0,33
BL	T·m	11,5
Qts		0,41
Qes		0,43
Qms		5,1
Spl	dB	84



- 1 Ultra-low profile (3.11 in. / 79 mm) for maximum installation flexibility.
- 2 Designed to deliver maximum performance in a reflex enclosure starting from 8.5 lt.
- 3 Special designed cone-dustcap-basket geometry which guarantees a long linear excursion capability (almost 9 mm, one-way) while keeping the mounting depth to minimum.
- 4 Air vents on the basket underneath the spider, eliminating the need for the central pole vent allowing mounting close to rear wall of enclosure.
- 5 Massive motor assembly optimized with FEM (Finite Element Modeling) for perfect control under high excursion conditions.
- 6 Water-repellent pressed paper 8 in. cone featuring a profile developed with FEM simulation and optimized with the Klippel Scan Vibrometer.
- 7 Specifically developed to be combined with either the Audison AP8.9 bit (2 CH bridged) or AP4.9 bit / AP4 D (2 CH bridged) amplifiers.
- 8 Steel mesh grille and plastic gasket included.



A	B	C	C ₁	D
222 mm	187 mm	94,6 mm	104 mm	79 mm
8.74 in.	7.36 in.	3.72 in.	4.09 in.	3.11 in.

All specifications subject to change without notice_19.C



Elettromedia
62018 Potenza Picena (MC) Italy
T +39 0733 870 870 - F +39 0733 870 880
elettromedia.com



Prima

APS 8 D

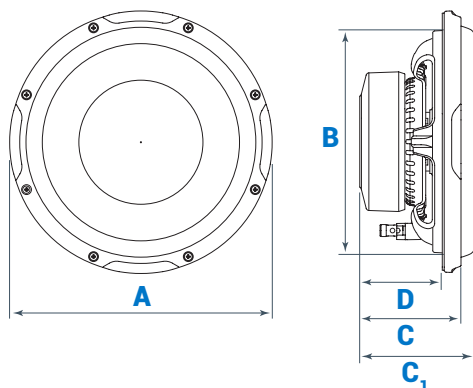
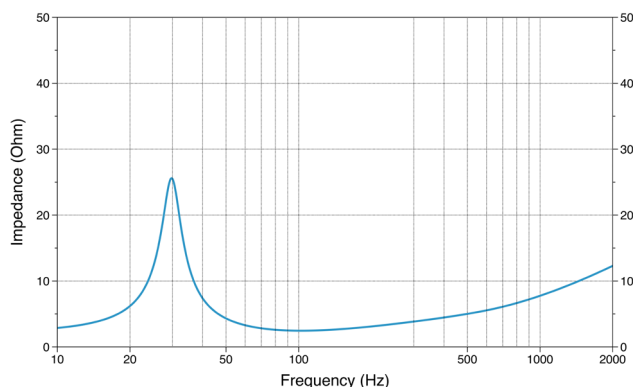
Subwoofer
500 W



TECHNICAL SPECIFICATIONS		
Component		Subwoofer
Size	mm (in.)	200 (8)
Power Handling	W peak	500
	W continuous	250
Impedance	Ω	4 + 4
Centre to centre distance	mm (in.)	207 (8.15)
Midrange magnet size D x d x h	mm (in.)	120 (4.72) x 50 (1.97) x 28 (1.1)
Total driver displacement	l (cu.in.)	0,67 (0.01)
Hole diameter		5 (0.2)
Weight of one speaker	kg (lb.)	3,1 (6.83)
Magnet		High density flux ferrite
Cone		Water-repellent pressed paper
Subwoofer Voice Coil \varnothing	mm (in.)	40 (1.57)
*Xmech		$\pm 16,5$ (0.65)

ELECTRO-ACOUSTIC PARAMETERS		
D	mm	173
Xmax	mm	$\pm 8,8$
Re	Ω	2,1
Fs	Hz	30
Le	mH	1,1
Vas	l	25,5
Mms	g	85
Cms	mm/N	0,3
BL	T·m	8,8
Qts		0,44
Qes		0,46
Qms		5,1
Spl	dB	83,5

- 1 Ultra-low profile (3.11 in. / 79 mm) for maximum installation flexibility.
- 2 Designed to deliver maximum performance in a sealed enclosure starting from 7.5 lt.
- 3 Special designed cone-dustcap-basket geometry which guarantees a long linear excursion capability (almost 9 mm, one-way) while keeping the mounting depth to minimum.
- 4 Air vents on the basket underneath the spider, eliminating the need for the central pole vent allowing mounting close to rear wall of enclosure.
- 5 Massive motor assembly optimized with FEM (Finite Element Modeling) for perfect control under high power, high excursion conditions.
- 6 Water-repellent pressed paper 8 in. cone featuring a profile developed with simulation and optimized with the Klippel Scan Vibrometer.
- 7 Dual voice coil design specifically developed to be combined with either AP8.9 bit (2 CH + 2 CH bridged), AP5.9 bit (Sub CH) or AP4.9 bit/AP4 D (2 CH bridged) amplifiers.
- 8 Steel mesh grille and plastic gasket included.



A	B	C	C ₁	D
222 mm	187 mm	94,6 mm	104 mm	79 mm
8.74 in.	7.36 in.	3.72 in.	4.09 in.	3.11 in.



Elettromedia
62018 Potenza Picena (MC) Italy
T +39 0733 870 870 - F +39 0733 870 880
elettromedia.com



All specifications subject to change without notice_19.C

Prima

APS 10 D

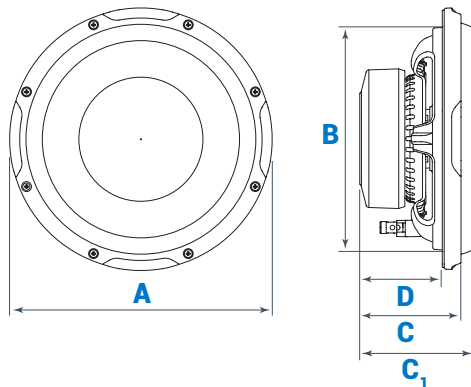
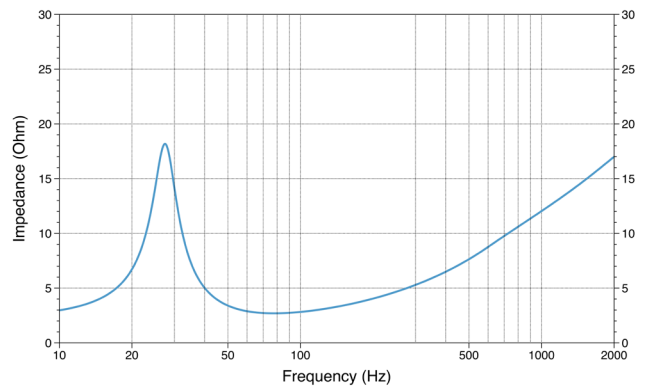
Subwoofer
800 W



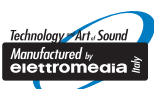
TECHNICAL SPECIFICATIONS		
Component		Subwoofer
Size	mm (in.)	250 (10)
Power Handling	W peak	800
	W continuous	400
Impedance	Ω	4 + 4
Centre to centre distance	mm (in.)	255 (10.04)
Midrange magnet size D x d x h	mm (in.)	140 (5.51) x 70 (2.76) x 30 (1.18)
Total driver displacement	l (cu.in.)	1,12 (0.02)
Hole diameter		5 (0.2)
Weight of one speaker	kg (lb.)	5,24 (11.56)
Magnet		High density flux ferrite
Cone		Water-repellent pressed paper
Subwoofer Voice Coil \varnothing	mm (in.)	60 (2.36)
*Xmech		± 18 (0.71)

ELECTRO-ACOUSTIC PARAMETERS		
D	mm	220
Xmax	mm	$\pm 12,6$
Re	Ω	2,2
Fs	Hz	27
Le	mH	1,5
Vas	l	41
Mms	g	170
Cms	mm/N	0,2
BL	T·m	10,4
Qts		0,52
Qes		0,58
Qms		4,7
Spl	dB	84

- 1 Ultra-low profile (4.7 in. / 120 mm) for maximum installation flexibility.
- 2 Designed to deliver maximum performance in a sealed enclosure starting from 10 lt.
- 3 Special designed cone-dustcap-basket geometry which guarantees a long linear excursion capability (11 mm, one-way) while keeping the mounting depth to minimum.
- 4 Air vents on the basket underneath the spider, eliminating the need for the central pole vent allowing mounting close to rear wall of enclosure.
- 5 Massive motor assembly, optimized with FEM (Finite Element Modeling) for perfect control under high power, high excursion conditions.
- 6 Water-repellent pressed paper 10 in. cone, featuring a profile developed with FEM simulation and optimized with the Klippel Scan Vibrometer.
- 7 Dual voice coil design specifically developed to be combined with either AP8.9 bit (2 CH + 2 CH bridged), AP5.9 bit (Sub CH) or AP4.9 bit/AP4 D (2 CH bridged) amplifiers.
- 8 Steel mesh grille and plastic gasket included.



A	B	C	C ₁	D
270 mm	233 mm	105 mm	119 mm	88 mm
10.63 in.	9.17 in.	4.13 in.	4.69 in.	3.46 in.



Elettromedia
62018 Potenza Picena (MC) Italy
T +39 0733 870 870 - F +39 0733 870 880
elettromedia.com



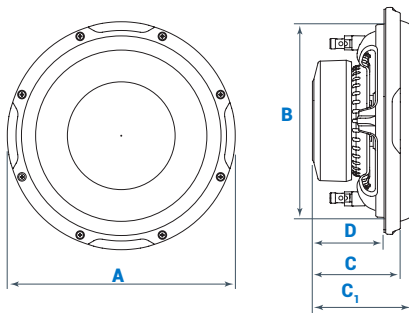
Prima

APS 10 S4S

Shallow subwoofer
800 W

TECHNICAL SPECIFICATIONS		
Component		Subwoofer
Size	mm (in.)	250 (10)
Power Handling	W peak	800
	W continuous	400
Impedance	Ω	4
Magnet size D x d x h	mm (in.)	140 x 70 x 30 (5.51 x 2.76 x 1.18)
Weight of one component	kg (lb.)	5,24 (11.56)
Voice Coil Ø	mm (in.)	60,5 (2.38)

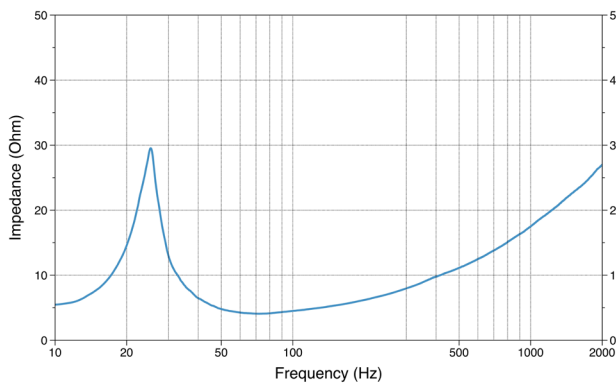
ELECTRO-ACOUSTIC PARAMETERS		
D	mm	220
Xmax	mm	12,6
Re	Ω	3,7
Fs	Hz	28,5
Le	mH	1,9
Vas	l	39,62
Mms	g	160
Cms	mm/N	0,20
BL	T·m	12,9
Qts		0,68
Qes		0,75
Qms		6,9
Spl	dB	83,5



A	B	C	C ₁	D	
270	233	105	119	88	mm
10.63	9.17	4.13	4.69	3.46	in.



1. Ultra-low profile (4.7 in. / 120 mm) for maximum installation flexibility.
2. Designed to deliver maximum performance in a sealed enclosure starting from 10 lt.
3. Special designed cone-dustcap-basket geometry which guarantees a long linear excursion capability (11 mm, one-way) while keeping the mounting depth to minimum.
4. Air vents on the basket underneath the spider, eliminating the need for the central pole vent allowing mounting close to rear wall of enclosure.
5. Massive motor assembly, optimized with FEM (Finite Element Modeling) for perfect control under high power, high excursion conditions.
6. Water-repellent treated paper 10 in. cone, featuring a profile developed with FEM simulation and optimized with the Klippel Scan Vibrometer.
7. Single voice coil design specifically developed to be combined with either AP F8.9 bit (2 CH bridged - 260 W RMS) amplifiers taking advantage of the bass boost feature and integrated parametric equalizer of the built-in DSP.
8. Steel mesh grille and plastic gasket included.



Elettromedia
62018 Potenza Picena (MC) Italy
T +39 0733 870 870 - F +39 0733 870 880
elettromedia.com



Prima

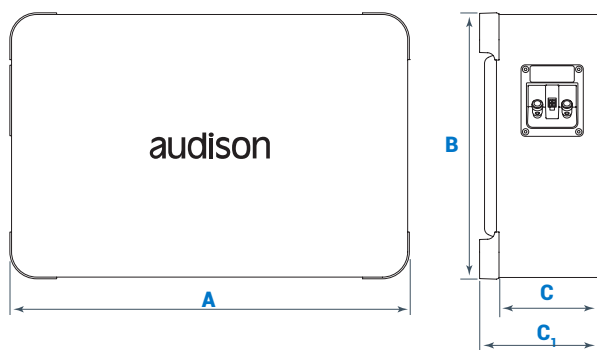
APBX 8 R

Passive Reflex Sub Box
500 W

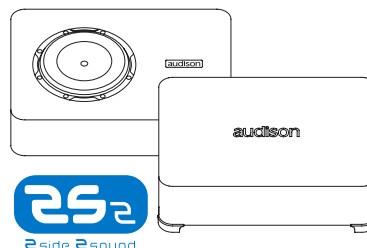
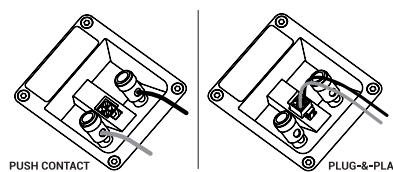


TECHNICAL SPECIFICATIONS		
Component		Passive Reflex Sub Box
Size	mm (in.)	200 (8)
Power Handling	W peak	500
	W continuous	250
Impedance	Ω	4
Sub box size	mm (in.)	470 (18.5) x 131 (5.16) x 334 (13.15)
Weight of one component	kg (lb.)	6,64 (14.64)
Magnet		High density flux ferrite
Cone		Water-repellent pressed paper
Subwoofer Voice coil \varnothing	mm (in.)	40 (1.57)

- 1 Ultra-low profile (5.16 in. / 131 mm) box with slot-ported design perfectly tuned to fully exploit the APS 8 R driver.
- 2 2S² (2 Sides/2 Sounds) design provides the ability to choose between Down-Firing mounting to increase the low-frequency extension and Up-Firing install to obtain more punch and definition.
- 3 Levelling feet with velcro inserts included for a secure grip with the carpet while maintaining easy removal.
- 4 SSP (Sub Smart Plug) features both traditional push contacts and a Plug-&-Play terminal block to easily configure the impedance as required and provides a quick release.
- 5 Rounded corners allow easy positioning in the trunk and act as reinforcement to reduce enclosure resonance.
- 6 Special designed cone-dustcap-basket geometry which guarantees a long linear excursion capability (9 mm, one-way).
- 7 Massive driver motor assembly, optimized with FEM (Finite Element Modeling) for perfect control under high excursion conditions.
- 8 Water-repellent pressed paper 8 in. cone, featuring a profile developed with FEM and optimized with the Klippel Scan Vibrometer.
- 9 Specifically developed to be combined with either the AP8.9 bit (2 CH bridged) or AP4.9 bit /AP4 D (2 CH bridged) amplifiers taking advantage of the bass boost feature and integrated parametric equalizer of the built-in DSP.
- 10 Sturdy metal grid included for a total protection of the subwoofer driver.



A	B	C	C ₁
470 mm	334 mm	109 mm	131 mm
18.5 in.	13.15 in.	4.29 in.	5.16 in.



Elettromedia
62018 Potenza Picena (MC) Italy
T +39 0733 870 870 - F +39 0733 870 880
elettromedia.com



Prima

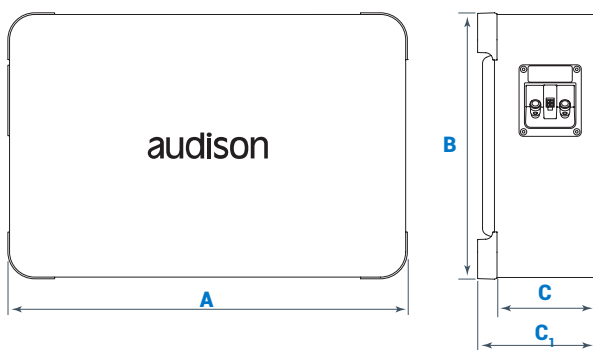
APBX 8 DS

Passive Sealed Sub Box
500 W

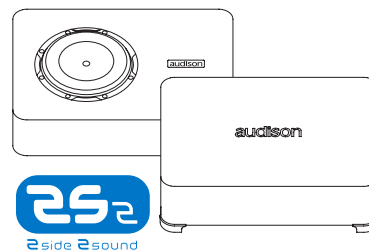
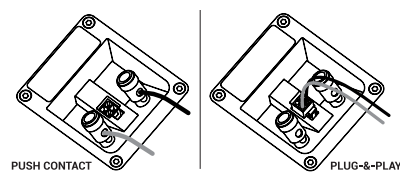


TECHNICAL SPECIFICATIONS		
Component		Passive Sealed Sub Box
Subwoofer size	mm (in.)	200 (8)
Power Handling	W peak	500
	W continuous	250
Impedance	Ω	4 + 4
Sub box size	mm (in.)	374 (14.72) x 131 (5.16) x 334 (13.5)
Weight of one component	kg (lb.)	6,22 (13.71)
Magnet		High density flux ferrite
Cone		Water-repellent pressed paper
Subwoofer Voice coil Ø	mm (in.)	40 (1.57)

- 1 Ultra-low profile (5.16 in. / 131 mm) box with sealed design perfectly tuned to fully exploit the APS 8 D driver.
- 2 2S² (2 Sides/2 Sounds) design provides the ability to choose between Down-Firing mounting to increase the low-frequency extension and Up-Firing install to obtain more punch and definition.
- 3 Leveling feet with velcro inserts included for a secure grip with the carpet while maintaining easy removal.
- 4 SSP (Sub Smart Plug) features both traditional push contacts and a Plug-&-Play terminal block to easily configure the impedance as required and provides a quick release.
- 5 Rounded corners allow easy positioning in the trunk and act as reinforcement to reduce enclosure resonance.
- 6 Special designed cone-dustcap-basket geometry which guarantees a long linear excursion capability (9 mm, one-way).
- 7 Massive driver motor assembly, optimized with FEM (Finite Element Modeling) for perfect control under high excursion conditions.
- 8 Water-repellent pressed paper 8 in. cone, featuring a profile developed with FEM simulation and optimized with the Klippel Scan Vibrometer.
- 9 Specifically developed to be combined with either AP1 D mono or AP4.9 bit/AP4 D (2 CH bridged) amplifiers taking advantage of the bass boost feature and integrated parametric equalizer of the built-in DSP.
- 10 Sturdy metal grid included for a total protection of the subwoofer driver.



A	B	C	C ₁
374 mm	334 mm	109 mm	131 mm
14.72 in.	13.15 in.	4.29 in.	5.16 in.



All specifications subject to change without notice_19_C



Elettromedia
62018 Potenza Picena (MC) Italy
T +39 0733 870 870 - F +39 0733 870 880
elettromedia.com

audison

Prima

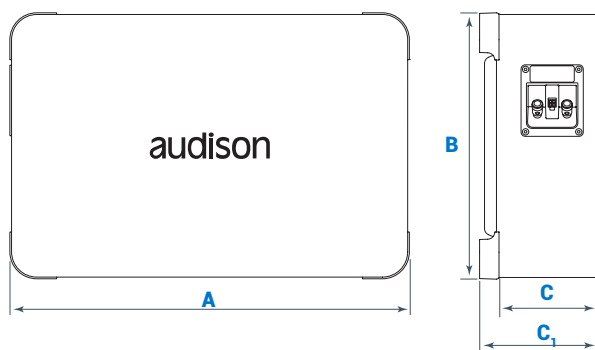
APBX 10 DS

Passive Sealed Sub Box
800 W

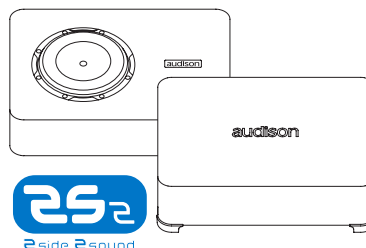
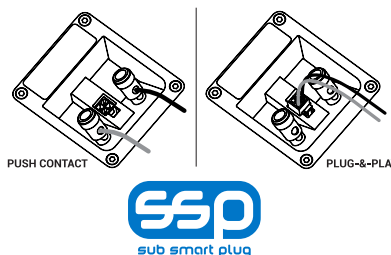


TECHNICAL SPECIFICATIONS		
Component		Passive Sealed Sub Box
Subwoofer size	mm (in.)	250 (10)
Power Handling	W peak	800
	W continuous	400
Impedance	Ω	4 + 4
Sub box size	mm (in.)	470 (18.5) x 142 (5.59) x 334 (13.15)
Weight of one component	kg (lb.)	8,63 (19.03)
Magnet		High density flux ferrite
Cone		Water-repellent pressed paper
Subwoofer Voice coil Ø	mm (in.)	60 (2.36)

- 1 Ultra-low profile (5.6 in. / 142 mm) box with sealed design perfectly tuned to fully exploit the APS 10 D driver.
- 2 2S² (2 Sides/2 Sounds) design provides the ability to choose between Down-Firing mounting to increase the low-frequency extension and Up-Firing install to obtain more punch and definition.
- 3 Leveling feet with velcro inserts included for a secure grip with the carpet while maintaining easy removal.
- 4 SSP (Sub Smart Plug) features both traditional push contacts and a Plug-&-Play terminal block to easily configure the impedance as required and provides a quick release.
- 5 Rounded corners allow easy positioning in the trunk and act as reinforcement to reduce enclosure resonance.
- 6 Special designed cone-dustcap-basket geometry which guarantees a long linear excursion capability (11 mm, one-way).
- 7 Massive driver motor assembly, optimized with FEM (Finite Element Modeling) for perfect control under high excursion conditions.
- 8 Water-repellent pressed paper 10 in. cone, featuring a profile developed with FEM simulation and optimized with the Klippel Scan Vibrometer.
- 9 Specifically developed to be combined with either the AP8.9 bit (2 CH + 2 CH bridged), AP5.9 bit (Sub CH) or AP4.9 bit/AP4 D (2 CH bridged) amplifiers taking advantage of the bass boost feature and integrated parametric equalizer of the built-in DSP.
- 10 Sturdy metal grid included for a total protection of the subwoofer driver.



A	B	C	C ₁
470 mm	334 mm	120 mm	142 mm
18.5 in.	13.15 in.	4.72 in.	5.59 in.



Elettromedia
62018 Potenza Picena (MC) Italy
T +39 0733 870 870 - F +39 0733 870 880
elettromedia.com



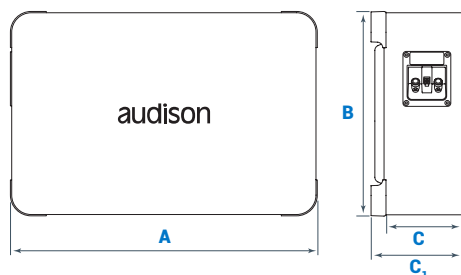
Prima

APBX 10 S4S

Sealed sub box
800 W



TECHNICAL SPECIFICATIONS		
Component		Passive Subwoofer Sealed box
Size	mm (in.)	250 (10)
Power Handling	W peak	800
	W continuous	400
Impedance	Ω	4
Magnet size D x d x h	mm (in.)	470 x 142 x 334 (18.5 x 5.59 x 13.15)
Weight of one component	kg (lb.)	8,63 (19.03)
Voice Coil Ø	mm (in.)	60 (2.36)



A	B	C	C ₁	
470	334	120	142	mm
18.5	13.15	4.72	5.59	in.

1. Ultra-low profile (5.6 in. / 142 mm) box with sealed design perfectly tuned to fully exploit the APS 10 D driver.
2. 2S² (2 Sides/2 Sounds) design provides the ability to choose between Down-Firing mounting to increase the low-frequency extension and Up-Firing install to obtain more punch and definition.
3. Leveling feet with Velcro inserts included for a secure grip with the carpet while maintaining easy removal.
4. SSP (Sub Smart Plug) features both traditional push contacts and a Plug-&-Play terminal block to easily configure the impedance as required and provides a quick release.
5. Rounded corners allow easy positioning in the trunk and act as reinforcement to reduce enclosure resonance.
6. Special designed cone-dustcap-basket geometry which guarantees a long linear excursion capability (11 mm, one-way).
7. Massive driver motor assembly, optimized with FEM (Finite Element Modeling) for perfect control under high excursion conditions.
8. Water-repellent treated paper 10 in. cone, featuring a profile developed with FEM simulation and optimized with the Klippel Scan Vibrometer.
9. Specifically developed to be combined with AP F8.9 bit (2 CH bridged - 260 W RMS) amplifiers taking advantage of the bass boost feature and integrated parametric equalizer of the built-in DSP.
10. Sturdy metal grid included for a total protection of the subwoofer driver.



Elettromedia
62018 Potenza Picena (MC) Italy
T +39 0733 870 870 - F +39 0733 870 880
elettromedia.com



Prima

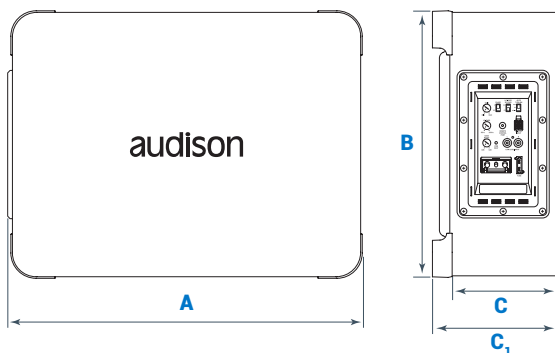
APBX 8 AS₂

Active Saled Sub Box
500 W

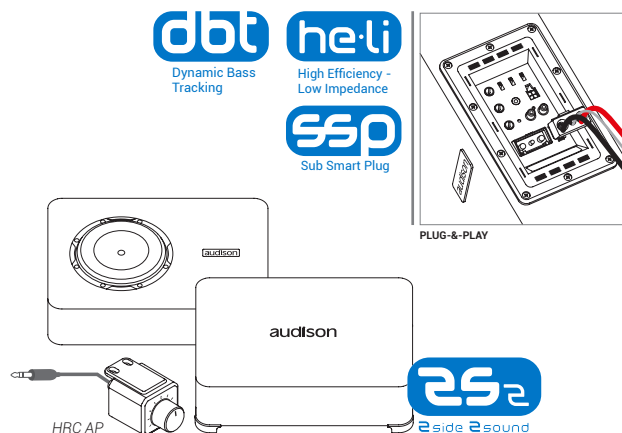


TECHNICAL SPECIFICATIONS		
Component		Active Sub Box
Subwoofer size	mm (in.)	200 (8)
Power Handling	W peak	500
	W continuous	250
Impedance	Ω	0,4
Sub box size	mm (in.)	368 (14.49) x 158 (6.22) x 294 (11.57)
Weight of one component	kg (lb.)	6,3 (13.89)
Magnet		High density flux ferrite
Cone		Water-repellent pressed paper
Subwoofer Voice coil Ø	mm (in.)	40 (1.57)

- 1 Integrated 250 W RMS @ 0.4 Ω D-Class amplifier featuring he-li technology (high efficiency / low impedance) without switching power supply, for a performance next to ideal.
- 2 Input stage DBT (Dynamic Bass Tracking) technology allows 100% use of the he-li (High Efficiency Low Impedance) amplifier power and to enjoy a tense and dynamic bass even at very high listening volumes.
- 3 Butterworth low-pass filter at 12dB/Oct. with variable cutting frequency (50-300 Hz), phase control (0 - 180 °) and adjustable bass-boost 0÷6 db @ 45Hz.
- 4 Defeatable filter to use the sub dedicated output of a bit or AP bit processor.
- 5 High level audio input on multi-pin connector for maximum OEM integration and low level on RCA for aftermarket sources.
- 6 ART turn on function (Automatic Remote Turn-On) selectable among: Remote-in, Hi-level, Audio signal.
- 7 Box with ultra-low profile (6.22 in. / 158 mm) in air suspension, designed to take full advantage of the performance of the 8-inch APS 8 DL high-impedance driver.
- 8 The SSP (Sub Smart Plug) terminal block is provided with a Plug & Play connector to be able to disconnect the box easily and safely.
- 9 The 2S² (2 Sides / 2 Sounds) design provides the ability to select between Down-Firing positioning to increase the low frequency extension and Up-Firing install to obtain more punch and definition.
- 10 Down-firing levelling feet with Velcro inserts included for a secure grip with the carpet, ensuring extreme ease of removal.
- 11 Rounded corners allow easy placement in the trunk and act as a reinforcement to reduce enclosure resonances.
- 12 Exclusive design of the cone, dust-cap and basket geometry to achieve a wide linear excursion (9 mm in one direction), keeping the depth required for assembly to a minimum.
- 13 HRC AP remote control included.
- 14 Sturdy metal grille included, for a total protection of the subwoofer driver.



A	B	C	C ₁
368 mm	294 mm	135 mm	158 mm
14.49 in.	11.57 in.	5.31 in.	6.22 in.



Elettromedia
62018 Potenza Picena (MC) Italy
T +39 0733 870 870 - F +39 0733 870 880
elettromedia.com



Prima

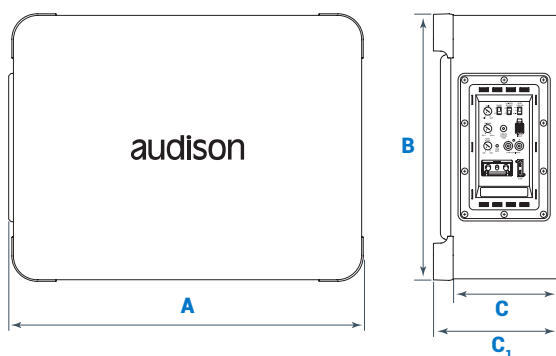
APBX 10 AS₂

Active Saled Sub Box
800 W

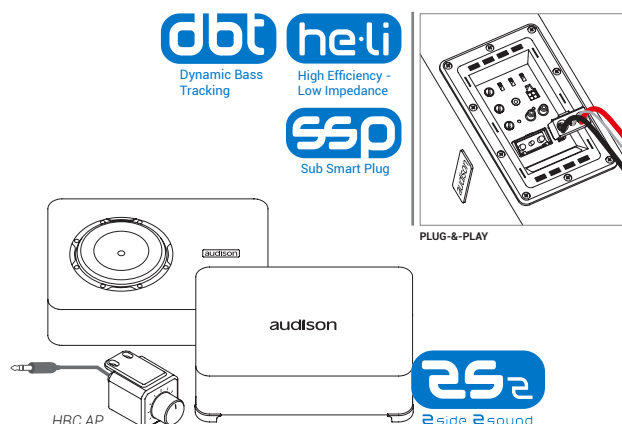


TECHNICAL SPECIFICATIONS		
Component		Active Sub Box
Subwoofer size	mm (in.)	250 (10)
Power Handling	W peak	800
	W continuous	400
Impedance	Ω	0,16
Sub box size	mm (in.)	440 (17.32) x 158 (6.22) x 334 (13.15)
Weight of one component	kg (lb.)	9,4 (29.72)
Magnet		High density flux ferrite
Cone		Water-repellent pressed paper
Subwoofer Voice coil Ø	mm (in.)	60 (2.36)

- 1 Integrated 400 W RMS @ 0.16 Ω D-Class amplifier featuring he-li technology (high efficiency / low impedance) without switching power supply, for a performance next to ideal.
- 2 Input stage DBT (Dynamic Bass Tracking) technology allows 100% use of the he-li (High Efficiency Low Impedance) amplifier power and to enjoy a tense and dynamic bass even at very high listening volumes.
- 3 Butterworth low-pass filter at 12dB/Oct. with variable cutting frequency (50-300 Hz), phase control (0 - 180°) and adjustable bass-boost 0÷6 db @ 45Hz.
- 4 Defeatable filter to use the sub dedicated output of a bit or AP bit processor.
- 5 High level audio input on multi-pin connector for maximum OEM integration and low level on RCA for aftermarket sources.
- 6 ART turn on function (Automatic Remote Turn-On) selectable among: Remote-in, Hi-level, Audio signal.
- 7 Box with ultra-low profile (6.22 in. / 158 mm) in air suspension, designed to take full advantage of the performance of the 10-inch APS 10 DL high-impedance driver.
- 8 The SSP (Sub Smart Plug) terminal block is provided with a Plug&Play connector to be able to disconnect the box easily and safely.
- 9 The 2S² (2 Sides / 2 Sounds) design provides the ability to select between Down-Firing positioning to increase the low frequency extension and Up-Firing install to obtain more punch and definition.
- 10 Down-firing levelling feet with Velcro inserts included for a secure grip with the carpet, ensuring extreme ease of removal.
- 11 Rounded corners allow easy placement in the trunk and act as a reinforcement to reduce enclosure resonances.
- 12 Exclusive design of the cone, dust-cap and basket geometry to achieve a wide linear excursion (9 mm in one direction), keeping the depth required for assembly to a minimum.
- 13 HRC AP remote control included.
- 14 Sturdy metal grille included, for a total protection of the subwoofer driver.



A	B	C	C ₁
440 mm	334 mm	135 mm	158 mm
17.32 in.	13.15 in.	5.31 in.	6.22 in.



Elettromedia
62018 Potenza Picena (MC) Italy
T +39 0733 870 870 - F +39 0733 870 880
elettromedia.com





elettromedia

Elettromedia, an Italian company, is a leader within the world-wide car Hi-Fi market. Born in 1987 in Potenza Picena by a group of friends who shared the same passion for in-car high fidelity, throughout the past years Elettromedia has been walking the path of excellence: its products are distributed in more than 50 countries; the company has received many awards and acknowledgements from the most authoritative leaders within the car audio industry; it also can boast reviews of more than 3000 pages published in 30 different languages (visit: <https://www.elettromedia.com/media-centre/press-review/>).

The Elettromedia brands are Audison, Hertz, Connection and AZaudiocomp. Through a co-branding strategy, the company offers all of the components required for a complete, top-level car audio system.



Elettromedia
web site

Contacts: Elettromedia s.r.l.
Strada Regina km 3,500 - 62018 Potenza Picena (Mc) - Italy
T +39 0733 870 870 - F +39 0733 870 880 - elettromedia.com

AWARDS



Prima



PRESS KIT

Prima Product Information (PDF version, 150 dpi resolution)

LOGOS: Audison, Prima

(Adobe Illustrator version, 300 dpi resolution)

PHOTO (JPEG version, 300 dpi resolution)



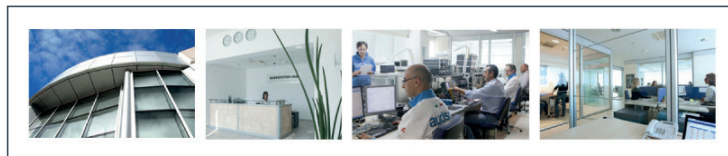
APS 8 R / APS 8 D APS 10 D / APS 10 S4S HRC AP



APS 8 R / APS 8 D APBX 8 R / APBX 8 DS APBX 10 DS / APBX 10 S4S



APBX 8 AS2 APBX 10 AS2 APBX 8/10 AS2



Sede Elettromedia



audison.com

audison
ISTINTO
INNOVATIVO

PART OF ELETTROMEDIA
62018 Potenza Picena (MC) Italy
T +39 0733 870 870 - F +39 0733 870 880
www.elettromedia.it